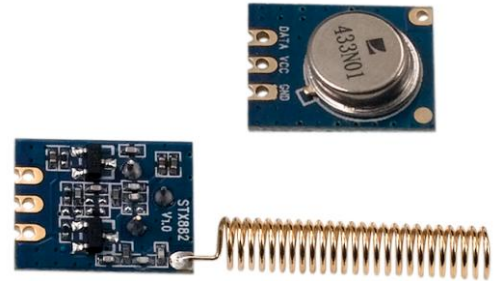


High-power ASK Transmitter Module STX882

1. Description

STX882 is a low cost, small size, ultra-high-power, low harmonic ASK transmitter module. Has high stability and high cost, at 3.6V power to achieve 50mW, is currently on the market under the same voltage transmit power ASK transmitter module. The module can be connected to the microcontroller directly. So it is more convenient for user developing wireless products.



2. Features

- Frequency Range: 433/315 MHZ
- ASK modulation mode
- Small volume low self radiation
- High-power long-range
- Frequency stability
- Various international testing standards

3. Application

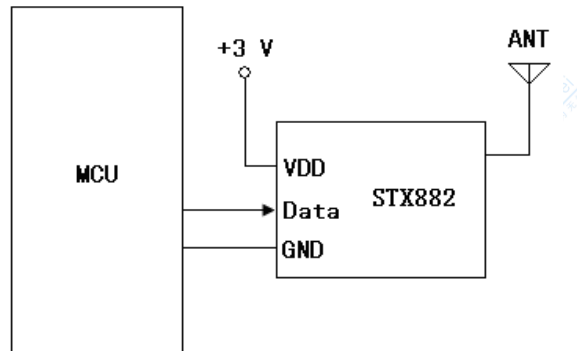
- Remote door
- Wireless security alarm
- Wireless industrial control
- Wireless data transmission

4. Electrical Specifications

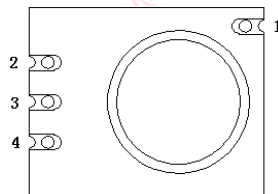
Parameter	Min.	Typ.	Max	Unit	Conditions
Operation conditions					
Supply Voltage	1.2	3.0	6	V	
Operating Temperature Range	-20	25	70	°C	
Current consumption					
TX current		20		mA	@5V,13dBm
Sleep Current		≤0.01		uA	@DATA As Low level
RF parameters					
Frequency Range	433.82	433.92	434.02	MHZ	@433MHZ
	314.9	315	315.1	MHZ	@315MHZ
RF power	12	13	13.5	dBm	@2.4V
	14	15	15.5	dBm	@3V
	19.5	20	20.5	dBm	@5V

Air rate	0.1		9.6	Kbps	
----------	-----	--	-----	------	--

5. Schematic



6. Pin Definition



Pin Number	Pin Definitions	Description
1	ANT	Antenna input
2	DATA	Data input
3	VCC	Positive power supply
4	GND	Connected to power ground

7. Mechanical dimensions

